

Alisha

Tensioned pergola

Do you imagine enjoying at the same time the advantages of an interior and exterior space? ALISHA is a tensioned pergola that offers this possibility both for personal use and for dining businesses.

ALISHA is the most versatile model. It offers the best balance between comfort and functionality.

Advantages



Protection from UV rays



Visual comfort



Optimal temperature

Optional



LED lighting



Adjustable feet



Integrated drainage system





Elegant design

The careful and elegant design of these pergolas makes them unique: Timeless shapes that facilitate architectural integration.



Great strength

Great wind resistance: Guides, profiles and pieces with an studied geometry that guarantee great structural strength.



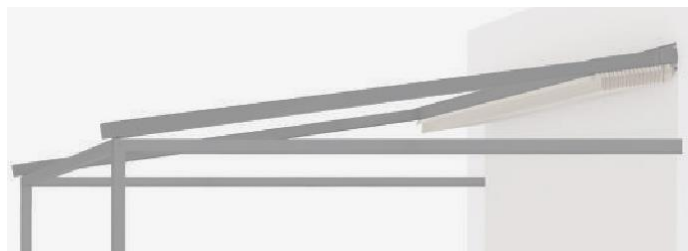
Hidden details

Hidden mounting details: Clean and impeccable appearance thanks to the concealment of screws and joining pieces.



Flexibility

Location flexibility for intermediate pillars: In some cases it is possible to relocate the intermediate columns, making modifications to the construction and replacing the aluminum frame with a steel one.



Horizontal harmony

Visual continuity of the front beam with the optional side beams since they are at the same height.



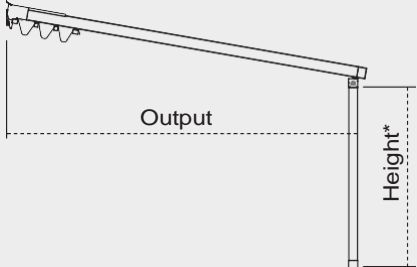
Adjustable feet

Adjustable feet that allow leveling the pergola on the ground, saving time and additional adjustment operations.



ALISHA ONE

Wall - goal
Between walls

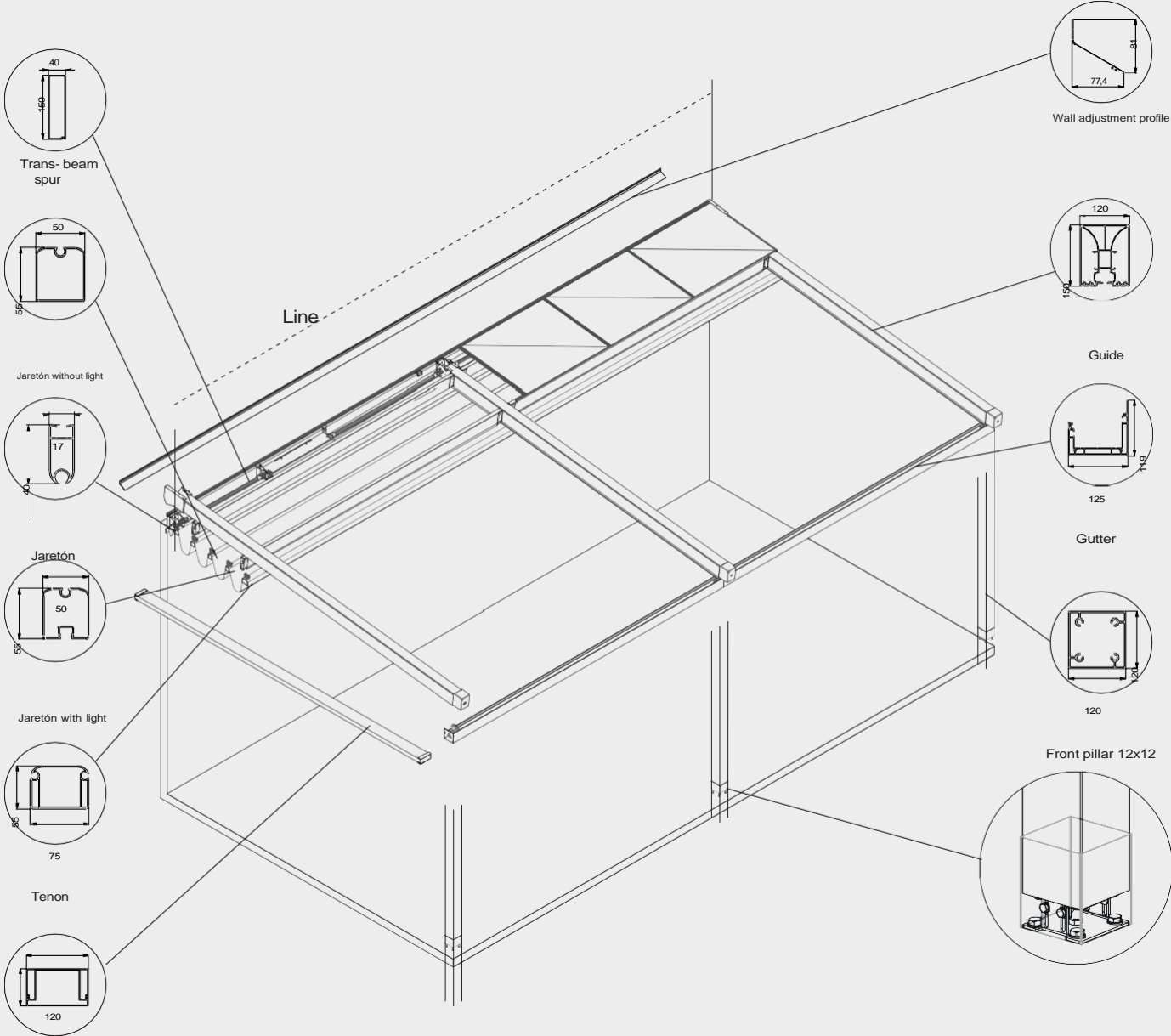


*Recommended free passage height 2.30m. For taller heights, consult.

Maximum dimensions (m)

No. Guides	Line	Output
2	5,00	10,00
3	9,50	10,00
4	14,00	10,00

Max. distance between guide centers = 5.00 m



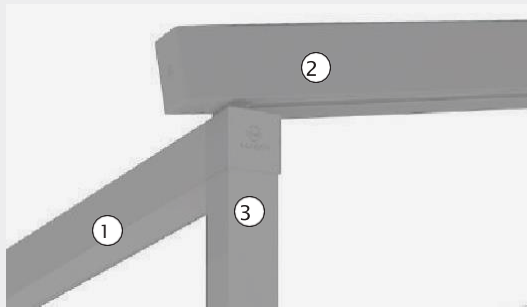
ALISHA

Downspout and gutter calculation

Type	Max. m2	
Complete	39 m2/pc*	
Half	18 m2/pc*	per downspout

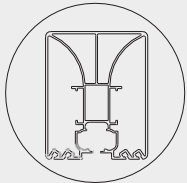
There must be at least one downspout for every 8 m of gutter length.

Main profiles

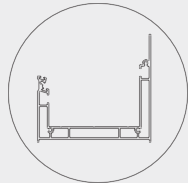


- ① Front beam
- ② Guide
- ③ Pillar

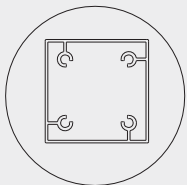
Profile sections (cm)



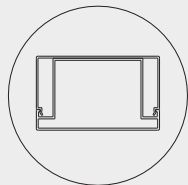
Guide 12 x 15



Front profile - gutter
12,5 x 11,9



Pillar 12 x 12



Lateral beam 12 x 7,2

